

Spotlight on the Operating Room

Significant challenges in cleaning the OR mean that it may be one of the most heavily contaminated areas of the hospital.



One study reported that only 25% of high-touch surfaces in the OR were cleaned during the terminal cleaning process.¹

157,500

There are an estimated 157,500 surgical site infections (SSI) that result from inpatient surgeries each year.²

\$21,000

An SSI costs hospitals, on average, \$20,785, but can increase to \$42,000 for infections caused by antibiotic-resistant bacteria, such as MRSA.³

7-11 days

An SSI can increase an average hospital stay from 7 to 11 days.⁴

1. Jefferson J, Whelan R, Dick B, Carling P. A Novel technique for identifying opportunities to improve environmental hygiene in the operating room. AORN J. 2011;93(3):358-364.

2. Magill SS, et al. Multistate Point-Prevalence Survey of Health Care-Associated Infections. N Engl J Med. 2014; 370(13):1198-1208.

3. Zimlichman E, et al. Healthcare-Associated Infections: A meta analysis of costs and financial impact on the US healthcare system. JAMA Intern Med. 2013;173(22):2039-2046.

4. Anderson DJ, et al. Strategies to prevent surgical site infections in acute care hospitals: 2014 update. Infect Control Hosp Epidemiol. 2014;35(6):605-627.

Recommended Products

Trusted Efficacy, Tough Cleaning Power and Fast Contact Times

Clorox Healthcare® Hydrogen Peroxide Cleaner Disinfectant is ideal for use in the perioperative setting. Fast contact times can speed up turnover time, while excellent surface compatibility preserves surfaces without leaving behind heavy residue. To go above and beyond manual surface cleaning and disinfection, we recommend incorporating the Optimum UV Enlight® System, which kills more than 30 HAI-causing pathogens in 5 minutes at 8 feet.

For Between Procedure and Terminal Cleaning

Kills over 40 pathogens in 1 minute or less



Clorox Healthcare® Hydrogen Peroxide Disinfectant Wipes & Liquids



For enhanced decontamination, implement UV technology

Clorox Healthcare® Optimum UV-Enlight System

Visibly Less Residue on Surfaces



Clorox Healthcare® Hydrogen Peroxide Wipes

(surface: black ceramic)



Diversey® Oxivir 1 Wipes



Clorox Healthcare® Hydrogen Peroxide Wipes

(surface: clear acrylic)

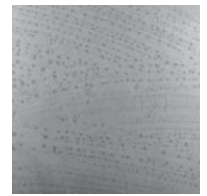


PDI® Sani-Cloth® AF3 Wipe



Clorox Healthcare® Hydrogen Peroxide Wipes

(surface: stainless steel)

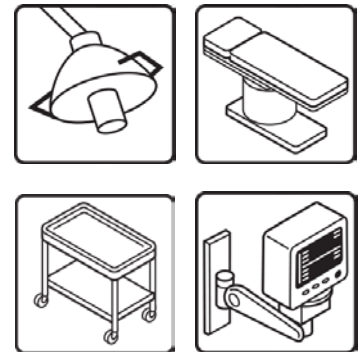


Metrex™ CaviWipes™

Surface Compatibility and Endorsements

Our products are scientifically tested on a variety of medical surfaces and equipment. A sample of manufacturer endorsements is provided below. For comprehensive information on the Clorox Healthcare Compatible™ program, visit www.cloroxhealthcare.com/compatibility.

Product Type	Manufacturer	Clorox Healthcare® Endorsed Product
Lights	Trumpf TruLight® iLED® Medical Lighting	Hydrogen Peroxide Wipes
	Skytron Surgical Lighting	Hydrogen Peroxide Wipes Also endorsed: Germicidal Bleach Wipes
Beds	Skytron Surgical Pads	Hydrogen Peroxide Wipes Also endorsed: Germicidal Bleach Wipes
	Midmark Medical Exam Bed	Hydrogen Peroxide Wipes Also endorsed: Germicidal Bleach Wipes
Patient Monitoring Systems/ Vital Sign Monitors	Philips IntelliVue Patient Mx400/450/500/600/700/800	Hydrogen Peroxide Wipes
	Barco Eonis® Diagnostic Displays	Hydrogen Peroxide Wipes
Surgical Steel Carts/ Cabinets	Blickman	Hydrogen Peroxide Wipes



For more information contact your Clorox Healthcare account manager or call 800-638-2625
Email: healthcare@clorox.com
Visit: www.cloroxhealthcare.com

© 2018 Clorox Professional Products Company, 1221 Broadway, Oakland, CA 94612.
www.cloroxpro.com